



INNOVATIVE CONCEPTS

ESTIMATE

NAME OF THE WORK

**ESTIMATE FOR PROPOSED ONION STORAGE SHED AT DAWARWADI, TAL- PAITHAN DIST-
AURANGABAD**

NAME OF THE OWNER

**M/S. SHREE SNEHBANDH FARMERS PRODUCER COMPANY LIMITED, DAWARWADI, TALUKA:
PAITHAN, DIST: AURANGABAD**

ESTIMATED COST

Rs. 48,74,333.00/-

RUPEES FORTY EIGHT LACS SEVENTY FOUR THOUSAND THREE HUNDRED THIRTY THREE ONLY

PREPARED BY

SATPUTE ARCHITECTS AND ENGINEERS

I ARCHITECTS I PLANNERS I ENGINEERS I INTERIOR DESIGNERS I

I PROJECT MANAGEMENT CONSULTANTS I CONTRACTORS I

ADDRESS- SHOP NO.: 15, FIRST FLOOR, MARKET YARD, OPPOSITE SATPUTE HOSPITAL,

NAGAR ROAD, SHEVGAON, DIST- AHMEDNAGAR- 414 502.

AR. PRIYANKA A. SATPUTE (B.ARCH) +91 7720 034 499.

ER. AMOL S. SATPUTE (M.E.- STRUCTURAL ENGG.) +91 8007 772 975.

NAME OF WORK: ESTIMATE FOR PROPOSED ONION STORAGE SHED (416 MT)**NAME OF THE OWNER:****M/S. SHREE SNEHBANDH FARMERS PRODUCER COMPANY LIMITED, DAWARWADI, TALUKA: PAITHAN,
DIST: AURANGABAD**

| Sr. No. | Description of Item | Qty. | Rate | Unit | Amount |
|---------|--|--------|------|-------|-----------|
| 1 | Excavation for foundation in earth, soil of all types, sand, gravel and soft murum, including removing the excavated material up to a distance of 50 m. beyond the building area and stacking and spreading as directed, dewatering, preparing the bed for the foundation and necessary back filling, ramming, watering including shoring and strutting etc. complete. (Lift upto 3.00 m.) By Manual Means. SSR Item No.: 21.01 (Lift upto 0.75 mtr) | 45.80 | 232 | Cu.M. | 10625.60 |
| 2 | Excavation for foundation in hard murum including removing the excavated material upto distance of 50 metres beyond the building area and stacking and spreading as directed, dewatering, preparing the bed for the foundation and necessary back filling, ramming, watering including shoring and strutting etc. complete. (Lift upto 1.50 m) By Manual Means. SSR Item No.: 21.05 (Lift upto 1.50 mtr) | 40.80 | 354 | Cu.M. | 14443.20 |
| 3 | Filling in plinth and floors with contractors material/brought from outside and approved by Engineer incharge in layers of 15 cm to 20 cm including watering and compaction etc. complete. SSR Item No.: 21.37 | 288.30 | 550 | Cu.M. | 158565.00 |
| 4 | Providing and laying Cast in situ/Ready Mix cement concrete in M-10 of trap/ granite/ quartzite/ gneiss metal for foundation and bedding including bailing out water, Steel centering, formwork, laying/pumping, compacting, roughening them if special finish is to be provided, finishing if required and curing complete, with fully automatic micro processor based PLC with SCADA enabled reversible Drum Type mixer/concrete Batch mix plant (Pan mixer) etc. complete. With fine aggregate (Crushed sand VSI Grade) SSR Item No.: 24.01 | 3.95 | 5538 | Cu.M. | 21875.10 |
| 5 | Providing and laying in situ /Ready Mix cement concrete M-20 of trap / granite /quartzite/ gneiss metal for R.C.C. work in foundations like raft, strip foundations, grillage and footings of R.C.C. columns and steel stanchions etc. including bailing out water, Steel centering formwork, laying/pumping cover blocks, compaction and curing roughening the surface if special finish is to be provided (Excluding reinforcement and structural steel) etc. complete, with fully automatic micro processor based PLC with SCADA enabled reversible Drum Type mixer/ concrete Batch mix plant (Pan mixer) etc. complete. With fine aggregate (Crushed sand VSI Grade) SSR Item No.: 25.11 | 13.50 | 6666 | Cu.M. | 89991.00 |

| Sr. No. | Description of Item | Qty. | Rate | Unit | Amount |
|---------|---|-------|--------|-------|------------|
| 6 | Providing and laying Cast in situ/Ready Mix cement concrete M-20 of trap / granite /quartzite/ gneiss metal for R.C.C. columns as per detailed designs and drawing or as directed including steel centering, formwork, cover blocks, laying/pumping, compaction finishing the formed surfaces with cement mortar 1:3 of sufficient minimum thickness to give a smooth and even surface or roughening if special finish is to be provided and curing etc. complete.(Excluding reinforcement and structural steel).with fully automatic micro processor based PLC with SCADA enabled reversible Drum Type mixer/ concrete Batch mix plant (Pan mixer) etc. complete. With fine aggregate (Crushed sand VSI Grade) SSR Item No.: 25.31 | 11.50 | 12987 | Cu.M. | 149350.50 |
| 7 | Providing and laying Cast In situ/Ready Mix cement concrete M-20 of trap / granite /quartzite/ gneiss metal for R.C.C. beams and lntels as per detailed designs and drawings or as directed Including steel centering, formwork, cover blocks, laying/pumping, compaction and roughening the surface if special finish is to be provided and curing etc. complete. (Excluding reinforcement and structural steel). with fully automatic micro processor based PLC with SCADA enabled reversible Drum Type mixer/ concrete Batch mix plant (Pan mixer) etc. complete. With fine aggregate (Crushed sand VSI Grade) SSR Item No.: 25.50 | 14.50 | 11483 | Cu.M. | 166503.50 |
| 8 | Providing and fixing in position TMT - FE - 500 bar reinforcement of various diameters for R.C.C. pile caps, footings, foundations, slabs, beams columns, canopies, staircase, newels, chajjas, lntels, pards, copings, fins, arches etc. as per detailed designs, drawings and schedules. including cutting, bending, hooking the bars, binding with wires or tack welding and supporting as required complete. SSR Item No.: 26.33 | 4.46 | 71778 | MT | 319914.55 |
| 9 | Providing second class Burnt Brick masonry with conventional/ I.S. type bricks in cement mortar 1:6 in foundations and plinth of inner walls/ In plinth external walls including balling out water manually, striking joints on unexposed faces, raking out joints on exposed faces and watering etc. Complete. SSR Item No.: 27.01 | 7.13 | 7343 | Cu.M. | 52377.62 |
| 10 | Providing structural steel work in trusses, other similar trussed purlins and members with all bracing, gusset plates etc. as per detailed designs and drawings or as directed including cutting, fabricating, hoisting, erecting fixing in position, Making riveted/ bolted/ welded connection and one coat of anticorrosive paint and over it 2 coats of oil painting approved quality and shade etc. complete. SSR Item No.: 23.04 | 13.50 | 105909 | MT | 1429771.50 |

| Sr. No. | Description of Item | Qty. | Rate | Unit | Amount |
|----------------|---|--------|-------|-------|-------------------|
| 11 | Providing and erecting chain link fencing 1.6 M. height with G.I. chain link of size 50 x 50 mm, 8 gauge thick and fixed 75 mm above ground level on vertical M.S. Angles of 40 x 40 x 6 mm size, including excavating pits for foundation and embedded in C.C. block of 1:4:8 mix of size 450 x 450 x 670 mm. at 1.75 M. c/c with iron bar 16mm dia as hold fast including welding link with angle frame at 30 cm c/c with nuts and bolts and horizontal M.S. Angles at top and bottom of 25 x 25 x 5 mm size and vertical M.S. flat 35 x 5 mm and 25 x 5 mm horizontal including cross support of 40 x 40 x 6 mm angles both side at every corner or bend embedded in concrete blocks of 1:4:8 of size 450 x 450 x 670 mm including 3 coats of oil painting etc. complete SSR Item No.: 46.39 | 120.00 | 2306 | R.M. | 276720.00 |
| 12 | Providing and fixing corrugated galvanised iron sheets of 0.63mm thick (24 B.W.G.) for roofing without wind tiles including fastening with galvanised iron screws and bolts, lead and bitumen washers as per drawing etc. complete.(Weight of 5.5 Kilogram/sq.m.). SSR Item No.: 38.04 | 937.20 | 816 | Sq.M. | 764755.20 |
| 13 | Providing and fixing turbo ventilator (24") to the roof | 8.00 | 8680 | Nos | 69440.00 |
| 14 | Onion storage box as per design and dimensions (32 box) (400 kg) onion mesh on sides and bamboo at bottom | 30.00 | 45000 | Nos | 1350000.00 |
| TOTAL = | | | | | 4874332.77 |

SAY 4874333

IN WORDS RUPEES FORTY EIGHT LACS SEVENTY FOUR
THOUSAND THREE HUNDRED THIRTY THREE ONLY



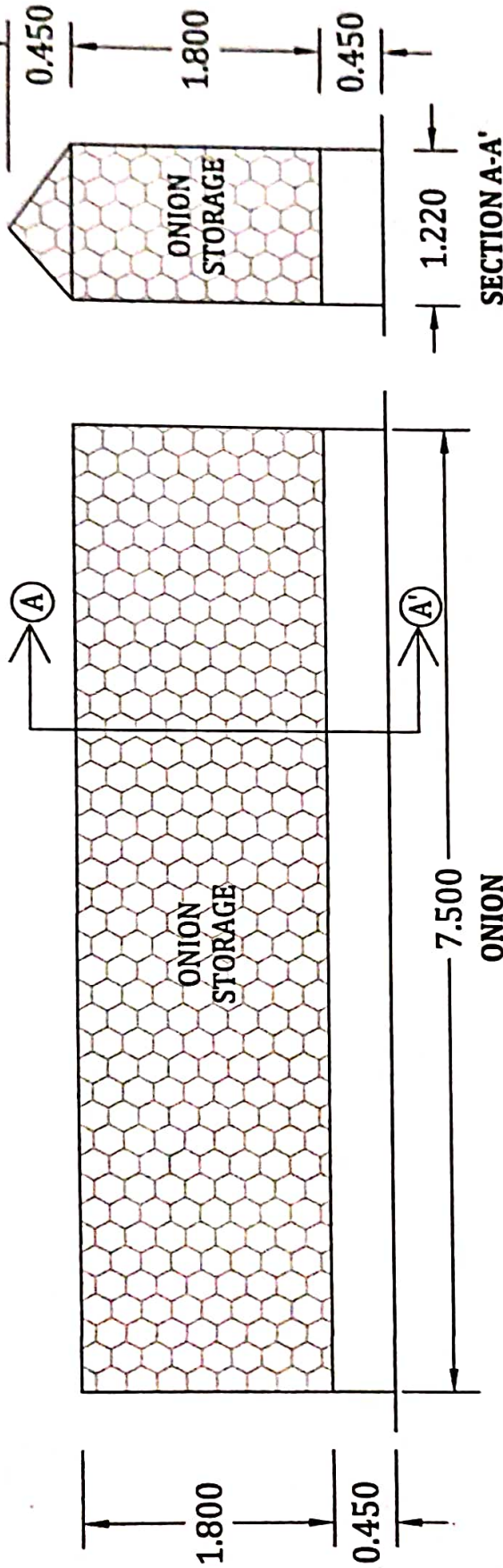
ER. AMOL SURESH SATPUTE
CHARTERED ENGINEER (INDIA)
(M-1723825)

MEMBER OF INSTITUTION OF ENGINEERS (INDIA)
B.E. (CIVIL), M.E. (STRUCTURAL ENGINEERING), LLB

NOTE:

The above estimate of proposed construction civil work is prepared adhering to the "State Schedule Rates" for the state of Maharashtra for the year 2021-2022 by Public Works Department (Govt. of Maharashtra)

ONION STORAGE CAPACITY (416MT)



ONION STORAGE PLAN

CALCULATION OF ONION STORAGE CAPACITY

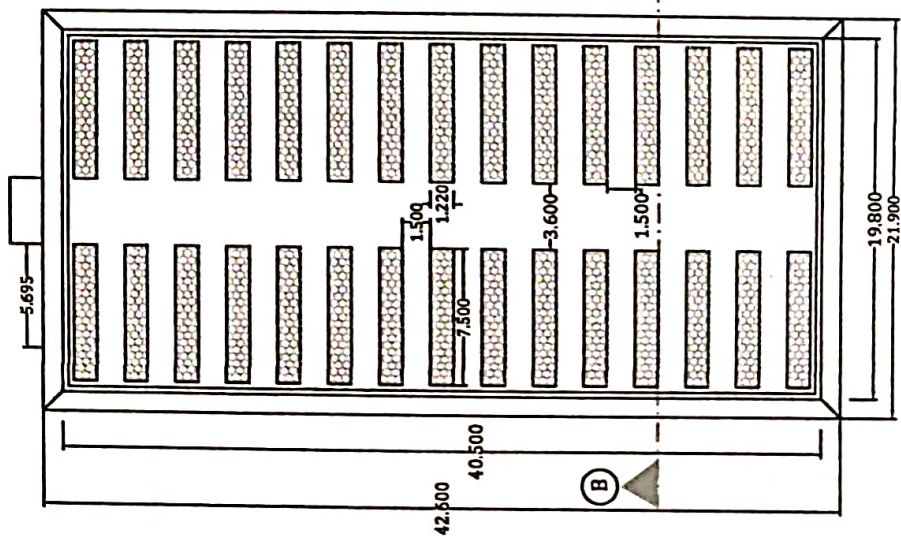
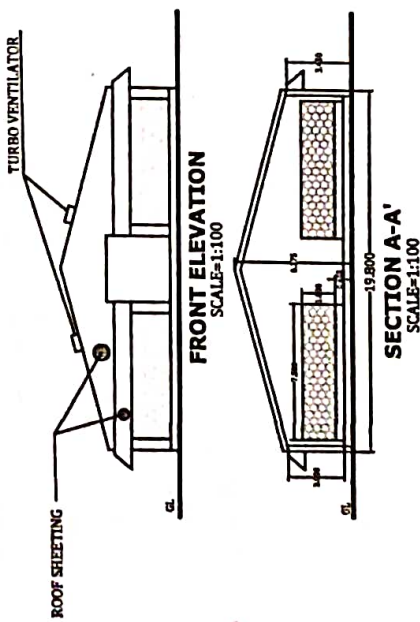
- A. LENGTH OF BOX = 7.50 MTR
- B. WIDTH OF BOX = 1.22 MTR
- C. HEIGHT OF BOX = (1.80 + .0225) = 2.025 MTR
- D. NUMBER OF BOX = 30 NOS.

VOLUME OF RECTANGULAR PORTION = $(7.50 \times 1.22 \times 2.025 \times 30) = 555.863 \text{ CU.M}$

ASSUMING 1.00 CUBIC METER OF VOLUME IS REQUIRED TO STORE 0.75 METRIC TON
HENCE,

CAPACITY OF TOTAL ONION STORAGE = $555.863 \times 0.75 = 416.897 \text{ MT}$
= **416.00 MT (SAY)**

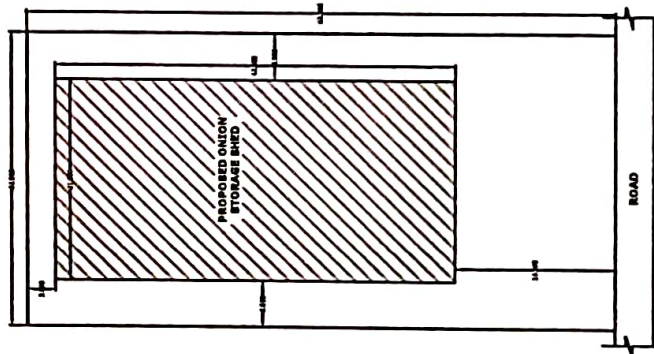
Amol Suresh Satpute
ER. AMOL SURESH SATPUTE
 CHARTERED ENGINEER (INDIA)
 (M-1723825)
 MEMBER OF INSTITUTION OF ENGINEERS, I.I.E.
 B.E. (CIVIL), M.E. (STRUCTURAL ENGINEERING), U.E.



BUILT UP AREA CALCULATION

1. ONION STORAGE SHED = $19.800 \times 40.500 = 801.900 \text{ SQMT}$

TOTAL BUILT UP AREA = 1591.414 SQMT



NOTES:

1. ALL THE DIMENSIONS ARE IN METER UNLESS SPECIFIED OTHERWISE. THIS DRAWING IS PREPARED ON THE BASIS OF INFORMATION PROVIDED BY THE CLIENT/OWNER. AND, WE ARE NOT RESPONSIBLE FOR ANY DISPUTE OR DIFFERENCES OR ANY LEGALITY ARISING THEREAFTER.
2. THE ROOF TRUSS DESIGN MAY CHANGE ACCORDING TO THE STRUCTURAL DESIGN.



PROJECT

PROPOSED 416 MT ONION STORAGE, CLEANING, GRADING & PACKAGING HOUSE FOR M/S. SHREE SHEKHAR FARMERS PRODUCER COMPANY LTD., DAWARWADI, TALUKA: PATTHAN, DIST: AURANGABAD

OWNER'S SIGN

(Signature)

ER. AMOL SURESH SATPUTE
CHARTERED ENGINEER (INDIA)
(M-1723925)

MEMBER OF INSTITUTION OF ENGINEERS (INDIA)
S.E. (CIVIL), M.E. (STRUCTURAL ENGINEERING), U.S.

ARCHITECTS/ENGINEERS SIGN

SATPUTE
ARCHITECTS AND ENGINEERS

ER. AMOL SURESH SATPUTE, MOB.NO. +91 9807222975
AR. PRIYANKA AMOL SATPUTE, MOB. NO. +91 7700344094
Land Use No.: 024628-23344
sat.pinocone@gmail.com

ADDRESS: SHOP NO. 15, FIRST FLOOR, MARKET YARD,
OPPOSITE SATPUTE HOSPITAL, AJNAR ROAD,
SHEVGOAN, AHMEDNAGAR-41 45 02